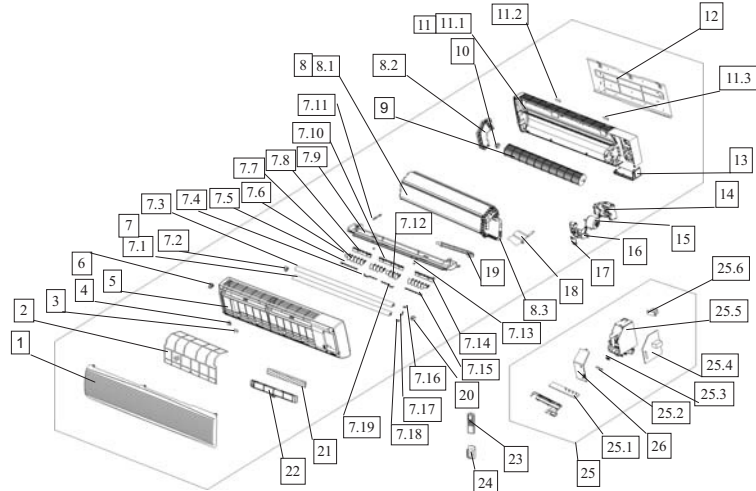
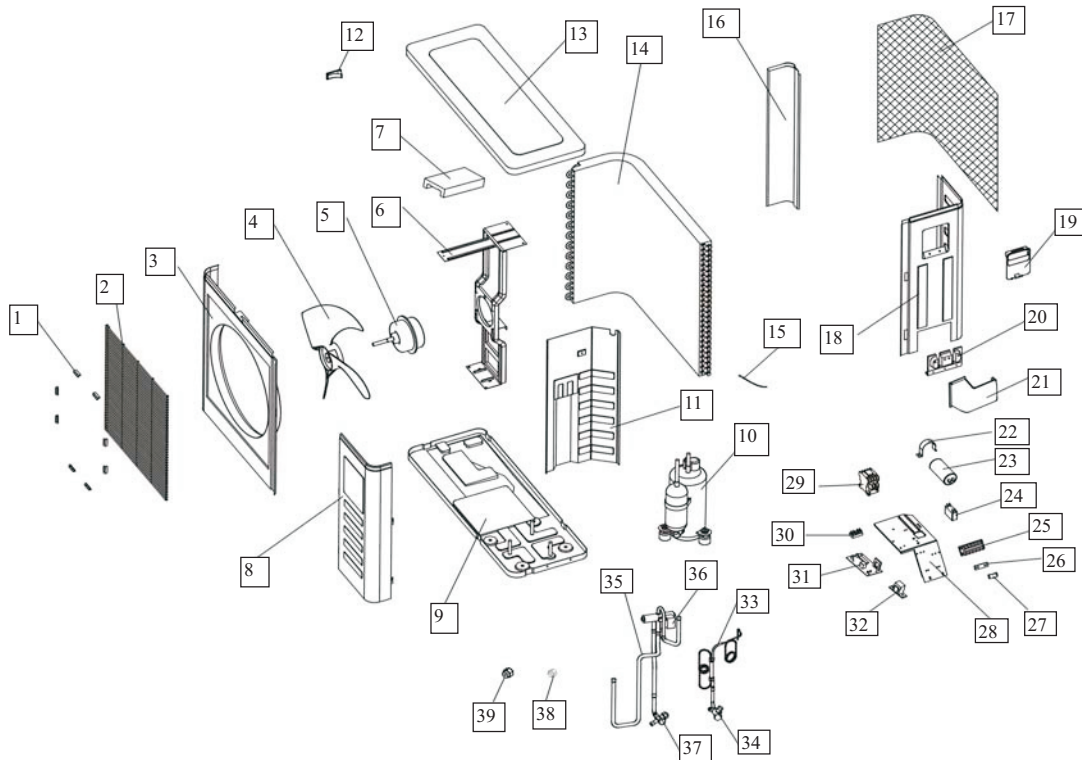


### Exploded View Parts for Model: KSWM18-H213 220-230V,60Hz Indoor Unit



No	Name	Quantity	Part #	Remark
1	Front panel	1	201130790365	
2	Air filter	2	201130790121	
3	Screw cap	3	201130790131	
4	Down clap for panel frame	4	201130790366	
5	Panel frame	1	201130790368	
6	Up clap for panel frame	2	201130790367	
7	Air out frame assy	1	201130790134	
7.1	Horizontal louverdown	1	201130790369	
7.2	Left bush for horizontal louver	1	201130790370	
7.3	Horizontal louverup	1	201130790371	
7.4	Louver connector, middle-left	1	201130790372	
7.5	Louver connector, left	1	201130790373	
7.6	Vertical louver, small size	2	201130790374	
7.7	Vertical louver, large size	12	201130790375	
7.8	Louver holder, left	1	201130790376	
7.9	Air out frame	1	201130790378	
7.10	Louver holder, middle	1	201130790377	
7.11	Stoppie	1	202730790003	
7.12	Vertical louver, middle size	2	201130790385	
7.13	Bush	4	201130790388	
7.14	Louver holder, right	1	201130790387	
7.15	Louver connector, right	1	201130790386	
7.16	Swing bar for up horizontal louver	1	201130790383	
7.17	Connector for horizontal louver	1	201130790382	
7.18	Swing bar for down horizontal louver	1	201130790381	
7.19	Louver connector, middle-right	1	201130790384	
8	Evaporator assy	1	201532890001	
	Evaporator I	1	201532890002	
	Evaporator II	1	201532890003	
8.1	Evaporator III	1	201532890004	
	Evaporator IV	1	201532890005	
	Right holder for evaporator	1	201230790025	
8.2	Left holder for evaporator	1	201130790122	
	Input pipe for evaporator	1	201632890004	
8.3	Output pipe for evaporator	1	201632890006	
9	Cross flow fan, assy	1	201100290011	
10	Bearing holder	1	201101090004	
11	Chassis assy	1	201130790135	
11.1	Chassis	1	201130790389	
11.2	Left rear cover for chassis	1	201130790379	
11.3	Right rear cover for chassis	1	201130790380	
12	Installation plate	1	201230790026	
13	Corner board for chassis	1	201130790125	
14	Base for motor	1	201130790128	
15	Fan motor	1	202400400617	
16	Cover for motor	1	201130790127	
17	Small cover for motor	1	201130790124	
18	Waterproof board	1	201130790203	
19	Drain hose	1	201130000011	
20	Louver motor	1	202400200007	
21	Air cleaner	1	201130790130	
22	Air cleaner holder	1	201130790129	
23	Remote controller	1	203355090007	
24	Holder for remote controller	1	201155010001	
25	E-parts assy	1	203332890005	
25.1	Display board	1	201330790044	
25.2	Wire joint, 4p	1	202301450105	
25.3	Wire clamp	1	201130790120	
25.4	Main control board	1	201332890002	
25.5	E-Parts box	1	201130790118	
25.6	Transformer	1	202300990007	
25.7	Indoor temp sensor	1	202430690052	
25.8	Evaporator temp sensor	1	202430690051	
26	E-part box cover	1	201130790137	
27	Bottom cover for e-box	1	201130790123	
28	Clamp for temp sensor	1	201130390070	
29	Protector for temp sensor	1	201130490002	
30	Copper nut, GLM-C 0	1	201600330003	
31	Copper nut, GLM-A0	1	201600330001	

### Exploded View Parts for Model KSWM018-H213 220--230V,60Hz : Outdoor Unit



No.	Part Name	Quantity	Part#	Remark
1	Clamp for front net	8	01135110801	
2	Front net	1	01245500017	
3	Front clapboard	1	01245500037	
4	Propeller fan	1	01145500002	
5	Fan Motor	1	02400410715	
6	Holder for fan motor	1	01245500020	
7	Foam over holder for	1	02245500001	
8	Front right clapboard	1	01245510101	
9	Chassis	1	01245500022	
10	Compressor	1	01400630370	
11	Separating board	1	01235300552	
12	Little Handle	1	01150290006	
13	Cover	1	01245500031	
14	Condenser	1	01535490031	
15	Outdoor pipe temp s	1	02441200200	
16	Left clapboard	1	01245500032	
17	Rear Net	1	01145500004	
18	Rear right clapboard	1	01235490046	
19	Big Handle	1	01235290217	
20	Installation plate for v	1	01235000018	
21	Water collector	1	01135290005	
22	Capacitor Clamp	1	01200100002	
23	Compressor capacito	1	02401090012	
24	Fan motor capacitor	1	02401100351	
25	Wire joint	1	02301450099	
26	Washer for wire joint	1	01135000004	
27	Clamp for wiring	1	01245400027	
28	Installation board for	1	01235490049	
29	Contacto	1	02300850004	
30	Wire joint for multiple	1	02301450035	
31	Main control board	1	01335490110	
32	Transformer	1	02300900080	
33	High Pressure Valve	1	01637890044	
34	Liquid pipe valve	1	01600740522	
35	Low Pressure Valve	1	01637890060	
36	4-way valve	1	01600690011	
37	Low Pressure Valve	1	01600720617	
38	Copper nut, TLM-A0	1	01600320000	
39	Copper nut, TLM-C03	1	01600320002	