



Internal Use Only

<http://biz.lgservice.com>

Room Air Conditioner

SVC MANUAL(Exploded View)

**MODEL : LSN090HSV4 / LSU090HSV4 (ASNW09GB1B0 / ASUW093BUB6)
LSN120HSV4 / LSU120HSV4 (ASNW12GB1B0 / ASUW123BUB6)
LSN180HSV4 / LSU180HSV4 (ASNW18GC2B0 / ASUW183CUB6)**

**LAN090HSV4 / LSU090HSV4 (ASNW09GBRB0 / ASUW093BUB6)
LAN120HSV4 / LSU120HSV4 (ASNW12GBRB0 / ASUW123BUB6)
LAN180HSV4 / LSU180HSV4 (ASNW18GCRB0 / ASUW183CUB6)
LAN240HSV4/LAU240HSV4 (ASNW243CRB6 / ASUW243CRB6)**

CAUTION

Before Servicing the unit, read the safety precautions in General SVC manual.
Only for authorized service personnel.

1. Product Specifications

Buyer Model (Indoor Unit / Outdoor unit)	Unit	LS-090HSV4 (LSN090HSV4 / LSU090HSV4)	LS-120HSV4 (LSN120HSV4 / LSU120HSV4)	LS-180HSV4 (LSN180HSV4 / LSU180HSV4)	
Factory Model (Indoor Unit / Outdoor unit)		AS-W09GB1B0 (ASNW09GB1B0 / ASUW093BUB6)	AS-W12GB1B0 (ASNW12GB1B0 / ASUW123BUB6)	AS-W18GC2B0 (ASNW18GC2B0 / ASUW183CUB6)	
Cooling Capacity (Min ~ Rated ~ Max)	kW	0.30 ~ 2.64 ~ 3.70	0.30 ~ 3.28 ~ 4.03	0.90 ~ 5.33 ~ 8.65	
	Btu/h	1,023 ~ 9,000 ~ 12,625	1,023 ~ 11,200 ~ 13,785	3,070 ~ 18,200 ~ 29,515	
Heating Capacity (Min ~ Rated ~ Max)	kW	0.30 ~ 3.16 ~ 5.00	0.30 ~ 3.90 ~ 6.50	0.90 ~ 6.45 ~ 11.40	
	Btu/h	1,023 ~ 10,800 ~ 17,061	1,023 ~ 13,300 ~ 22,178	3,070 ~ 22,000 ~ 38,898	
Maximum Heating Capacity	Outdoor 17°F (Indoor 70°F)	8,856 (82%)	10,906 (82%)	18,040 (82%)	
	Outdoor 5°F (Indoor 70°F)	7,452 (69%)	9,177 (69%)	15,180 (69%)	
	Outdoor -4°F (Indoor 70°F)	7,236 (67%)	8,911 (67%)	14,740 (67%)	
Power Input	W	677 / 700	896 / 1000	1,447 / 1,760	
Running Current	A	2.90 / 3.04	3.90 / 4.35	6.30 / 8.20	
Starting Current	A	2.90 / 3.04	3.90 / 4.35	6.30 / 8.20	
EER	-	13.29	12.5	12.6	
SEER	-	21.5	21.5	20.5	
COP	-	4.51	3.9	3.66	
HSPF (IV / V) ^{a)}	-	10.8 / 9.4	11.0 / 9.6	9.7 / 8.4	
Power Supply	Ø / V / Hz	1 / 208-230 / 60	1 / 208-230 / 60	1 / 208-230 / 60	
Power Factor	%	93.5	93.5	98.2	
Air Flow Rate	Indoor, Max/H/M/L	CFM(m ³ /min)	423 (12.0) / 353 (10.0) / 272 (7.7) / 191 (5.4)	423 (12.0) / 353 (10.0) / 272 (7.7) / 191 (5.4)	735 (20.8) / 622 (17.6) / 509 (14.4) / 399 (11.3)
	Outdoor, Max	CFM(m ³ /min)	1,165 (33)	1,165 (33)	2,119 (60)
Moisture Removal	pts/h (l/h)	2.3 (1.1)	2.3 (1.1)	5.5 (2.6)	
Sound Level	Indoor, H/M/L/SL (Cooling)	dB(A)+3	38 / 33 / 23 / 19	39 / 33 / 23 / 19	45 / 40 / 35 / 29
	Indoor, H/M/L (Heating)	dB(A)+3	38 / 33 / 23	39 / 33 / 23	45 / 40 / 35
	Outdoor, Max	dB(A)+3	45	45	53
Compressor	Type	-	Single Rotary	Single Rotary	Twin Rotary
	Model	-	GA102MFB	GA102MFB	GJT240MBA
	Motor Type	-	Brushless DC Motor	Brushless DC Motor	Brushless DC Motor
	Oil Type	-	PVE (FVC68D)	PVE (FVC68D)	PVE (FVC68D)
	Oil Charge	cc	310	310	900
	O.L.P. name	-	-	-	-
Fan(Indoor)	Type	-	Cross Flow Fan	Cross Flow Fan	Cross Flow Fan
	Motor Output	W	30	30	30
Fan(Outdoor)	Type	-	Propeller Fan	Propeller Fan	Propeller
	Motor Type	-	BLDC	BLDC	BLDC
	Motor Output	W	43	43	124
Circuit Breaker*	A	15	15	25	
Power Supply Cable	No. x AWG	3 x 14	3 x 14	3 x 12	
Power and Transmission Cable	No. x AWG	4 x 18	4 x 18	4 x 18	
Piping Connections	Liquid Side	in (mm)	Ø 1/4 (6.35)	Ø 1/4 (6.35)	Ø 3/8 (9.52)
	Gas Side	in (mm)	Ø 3/8 (9.52)	Ø 3/8 (9.52)	Ø 5/8 (15.88)
Drain Hose(O.D., I.D.)	in (mm)	27/32, 5/8 (21.5, 16.0)	27/32, 5/8 (21.5, 16.0)	27/32, 5/8 (21.5, 16.0)	
Dimensions	Indoor (W x H x D)	mm	885 x 285 x 210	885 x 285 x 210	1,030 x 325 x 250
		inch	34-13/16 x 11-1/4 x 8-1/4	34-13/16 x 11-1/4 x 8-1/4	40-9/16 x 12-13/16 x 9-13/16
	Outdoor (W x H x D)	mm	770 x 545 x 288	770 x 545 x 288	870 x 800 x 320
		inch	30-5/16 x 21-1/2 x 11-5/16	30-5/16 x 21-1/2 x 11-5/16	34-1/4 x 31-1/2 x 12-19/32
Net Weight	Indoor	lbs (kg)	19.4 (8.8)	19.4 (8.8)	30.9 (14.0)
	Outdoor	lbs (kg)	75 (34)	75 (34)	120.2 (54.5)
Gross Weight	Indoor	lbs (kg)	26.0 (11.8)	26.0 (11.8)	35.3 (16.0)
	Outdoor	lbs (kg)	78.9 (35.8)	78.9 (35.8)	130.1 (59.0)
Operation Range	Cooling (Outdoor)	°F(°C) DB	14 [0°] ~ 118 (-10 [-18°] ~ 48)	14 [0°] ~ 118 (-10 [-18°] ~ 48)	14 [0°] ~ 118 (-10 [-18°] ~ 48)
	Heating (Outdoor)	°F(°C) WB	-4 ~ 65 (-20 ~ 18)	-4 ~ 65 (-20 ~ 18)	-4 ~ 65 (-20 ~ 18)
Refrigerant & Charge	oz (g)	R410A / 35.3 (1,000)	R410A / 35.3 (1,000)	R410A / 63.5 (1,800)	
Additional Refrigerant Charge	oz/ft (g/m)	0.22 (20)	0.22 (20)	0.38 (35)	
Piping Length (Min/Max)	ft (m)	6.6 (2) / 65.6 (20)	6.6 (2) / 65.6 (20)	9.84 (3) / 98.4 (30)	
Chargeless	ft (m)	41 (12.5)	41 (12.5)	24.6 (7.5)	
Max. Elevation Difference	ft (m)	32.8 (10)	32.8 (10)	49.2 (15)	
Tool Code(Chassis)	Indoor + Outdoor	SB + UL2	SB + UL2	SC + UE1+	
Functions	Temperature Control	-	Thermistor	Thermistor	
	Allergy free filter	-	-	-	
	Plasma Filter	-	-	-	
	Pre-filter (Washable/Anti-fungus)	0	0	0	
	3M Micro Protection filter	0	0	0	
	Auto Clean	0	0	0	
	CHAOS Wind(Auto Wind)	0	0	0	
	Steps, Fan/Cool/Heat	6 / 6 / 6	6 / 6 / 6	6 / 6 / 6	
	Airflow Direction Control(Up& Down)	Auto	Auto	Auto	
	Airflow Direction Control(Left & Right)	Auto	Auto	Auto	
	Remote Controller Type	Wireless LCD	Wireless LCD	Wireless LCD	
	Setting Temperature Range	Cooling °F (°C)	64-86 (18-30)	64-86 (18-30)	64-86 (18-30)
		Heating °F (°C)	60-86 (16-30)	60-86 (16-30)	60-86 (16-30)
	Auto Operation (Micom Control)	0	0	0	
	Auto Changeover (Micom Control)	0	0	0	
	Self Diagnosis	0	0	0	
	Timer	24h, On/Off	24h, On/Off	24h, On/Off	
	Sleep Operation	0	0	0	
	Soft Dry Operation	0	0	0	
	Restart Delay (Minute)	3	3	3	
	Deice Control (Defrost)	0	0	0	
	Hot Start	0	0	0	
	Jet Cool / Jet Heat	0	0	0	
	Low Ambient Operation	0	0	0	
	Special Function		Wi-Fi, Water Level sensor, Cooling Only switch, WIND BAFFLE	Wi-Fi, Water Level sensor, Cooling Only switch, WIND BAFFLE	Wi-Fi, Water Level sensor, Cooling Only switch, WIND BAFFLE

Note :

○ : Applied, X : No relation, - : No relation

• Filters are optional in some specific areas.

• For Circuit Breaker Rating, please conform to local standards whenever necessary.

• If you use Wi-Fi, Wi-Fi module must be purchased separately.

a) HSPF Region V = HSPF Region IV / 1.15

- HSPF IV values comply with US standard.

- HSPF V values comply with Canada standard.

b) * : With wind baffle installed, the minimum temperature will be 0°F D.B. in cooling.

Buyer Model (Indoor Unit / Outdoor unit)	Unit	LA-090HSV4 (LAN090HSV4 / LSU090HSV4)	LA-120HSV4 (LAN120HSV4 / LSU120HSV4)	LA-180HSV4 (LAN180HSV4 / LSU180HSV4)	
Factory Model (Indoor Unit / Outdoor unit)		AS-W09GBRB0 (ASNW09GBRB0 / ASUW093BUB6)	AS-W12GBRB0 (ASNW12GBRB0 / ASUW123BUB6)	AS-W18GBRB0 (ASNW18GBRB0 / ASUW183CUB6)	
Cooling Capacity (Min ~ Rated ~ Max)	kW	0.30 ~ 2.64 ~ 3.70	0.30 ~ 3.28 ~ 4.03	0.90 ~ 5.33 ~ 8.65	
	Btu/h	1,023 ~ 9,000 ~ 12,625	1,023 ~ 11,200 ~ 13,785	3,070 ~ 18,200 ~ 29,515	
Heating Capacity (Min ~ Rated ~ Max)	kW	0.30 ~ 3.16 ~ 5.00	0.30 ~ 3.90 ~ 6.50	0.90 ~ 6.45 ~ 11.40	
	Btu/h	1,023 ~ 10,800 ~ 17,061	1,023 ~ 13,300 ~ 22,178	3,070 ~ 22,000 ~ 38,898	
Maximum Heating Capacity	Outdoor 17°F (Indoor 70°F)	8,856 (82%)	10,906 (82%)	18,040 (82%)	
	Outdoor 5°F (Indoor 70°F)	7,452 (69%)	9,177 (69%)	15,180 (69%)	
	Outdoor -4°F (Indoor 70°F)	7,236 (67%)	8,911 (67%)	14,740 (67%)	
Power Input	W	677 / 700	896 / 1000	1,447 / 1,760	
Running Current	A	2.90 / 3.04	3.90 / 4.35	6.30 / 8.20	
Starting Current	A	2.90 / 3.04	3.90 / 4.35	6.30 / 8.20	
EER	-	13.29	12.5	12.6	
SEER	-	21.5	21.5	20.5	
COP	-	4.51	3.9	3.66	
HSPF (IV / V) ^{a)}	-	10.8 / 9.4	11.0 / 9.6	9.7 / 8.4	
Power Supply	Ø / V / Hz	1 / 208-230 / 60	1 / 208-230 / 60	1 / 208-230 / 60	
Power Factor	%	93.5	93.5	98.2	
Air Flow Rate	Indoor, Max/H/M/L	CFM(m ³ /min)	423 (12.0) / 353 (10.0) / 272 (7.7) / 191 (5.4)	423 (12.0) / 353 (10.0) / 272 (7.7) / 191 (5.4)	735 (20.8) / 622 (17.6) / 509 (14.4) / 399 (11.3)
	Outdoor, Max	CFM(m ³ /min)	1,165 (33)	1,165 (33)	2,119 (60)
Moisture Removal	pts/h (l/h)	2.3 (1.1)	2.3 (1.1)	5.5 (2.6)	
Sound Level	Indoor, H/M/L/SL (Cooling)	dB(A)+3	38 / 33 / 23 / 19	39 / 33 / 23 / 19	45 / 40 / 35 / 29
	Indoor, H/M/L (Heating)	dB(A)+3	38 / 33 / 23	39 / 33 / 23	45 / 40 / 35
	Outdoor, Max	dB(A)+3	45	45	53
Compressor	Type	-	Single Rotary	Single Rotary	Twin Rotary
	Model	-	GA102MFB	GA102MFB	GJT240MBA
	Motor Type	-	Brushless DC Motor	Brushless DC Motor	Brushless DC Motor
	Oil Type	-	PVE (FVC68D)	PVE (FVC68D)	PVE (FVC68D)
	Oil Charge	cc	310	310	900
	O.L.P. name	-	-	-	-
Fan(Indoor)	Type	-	Cross Flow Fan	Cross Flow Fan	Cross Flow Fan
	Motor Output	W	30	30	30
Fan(Outdoor)	Type	-	Propeller Fan	Propeller Fan	Propeller
	Motor Type	-	BLDC	BLDC	BLDC
	Motor Output	W	43	43	124
Circuit Breaker*	A	15	15	25	
Power Supply Cable	No. x AWG	3 x 14	3 x 14	3 x 12	
Power and Transmission Cable	No. x AWG	4 x 18	4 x 18	4 x 18	
Piping Connections	Liquid Side	in (mm)	Ø 1/4 (6.35)	Ø 1/4 (6.35)	Ø 3/8 (9.52)
	Gas Side	in (mm)	Ø 3/8 (9.52)	Ø 3/8 (9.52)	Ø 5/8 (15.88)
Drain Hose(O.D., I.D.)	in (mm)	27/32, 5/8 (21.5, 16.0)	27/32, 5/8 (21.5, 16.0)	27/32, 5/8 (21.5, 16.0)	
Dimensions	Indoor (W x H x D)	mm	885 x 285 x 205	885 x 285 x 205	1,030 x 325 x 245
		inch	34-13/16 x 11-1/4 x 8-1/16	34-13/16 x 11-1/4 x 8-1/16	40-9/16 x 12-13/16 x 9-11/16
	Outdoor (W x H x D)	mm	770 x 545 x 288	770 x 545 x 288	870 x 800 x 320
		inch	30-5/16 x 21-1/2 x 11-5/16	30-5/16 x 21-1/2 x 11-5/16	34-1/4 x 31-1/2 x 12-19/32
Net Weight	Indoor	lbs (kg)	23.1 (10.5)	23.1 (10.5)	32.0 (14.5)
	Outdoor	lbs (kg)	75 (34)	75 (34)	120.2 (54.5)
Gross Weight	Indoor	lbs (kg)	28.7 (13.0)	28.7 (13.0)	38.6 (17.5)
	Outdoor	lbs (kg)	78.9 (35.8)	78.9 (35.8)	130.1 (59.0)
Operation Range	Cooling (Outdoor)	°F(°C) DB	14 [0°] ~ 118 (-10 [-18°] ~ 48)	14 [0°] ~ 118 (-10 [-18°] ~ 48)	14 [0°] ~ 118 (-10 [-18°] ~ 48)
	Heating (Outdoor)	°F(°C) WB	-4 ~ 65 (-20 ~ 18)	-4 ~ 65 (-20 ~ 18)	-4 ~ 65 (-20 ~ 18)
Refrigerant & Charge	oz (g)	R410A / 35.3 (1,000)	R410A / 35.3 (1,000)	R410A / 63.5 (1,800)	
Additional Refrigerant Charge	oz/ft (g/m)	0.22 (20)	0.22 (20)	0.38 (35)	
Piping Length (Min/Max)	ft (m)	6.6 (2) / 65.6 (20)	6.6 (2) / 65.6 (20)	9.84 (3) / 98.4 (30)	
Chargeless	ft (m)	41 (12.5)	41 (12.5)	24.6 (7.5)	
Max. Elevation Difference	ft (m)	32.8 (10)	32.8 (10)	49.2 (15)	
Tool Code(Chassis)	Indoor + Outdoor	SB + UL2	SB + UL2	SC + UE1+	
Functions	Temperature Control	Thermistor	Thermistor	Thermistor	
	Allergy free filter	-	-	-	
	Plasma Filter	-	-	-	
	Prefilter (Washable/Anti-fungus)	0	0	0	
	3M Micro Protection filter	0	0	0	
	Auto Clean	0	0	0	
	CHAOS Wind(Auto Wind)	0	0	0	
	Steps, Fan/Cool/Heat	6 / 6 / 6	6 / 6 / 6	6 / 6 / 6	
	Airflow Direction Control(Up& Down)	Auto	Auto	Auto	
	Airflow Direction Control(Left & Right)	Auto	Auto	Auto	
	Remote Controller Type	Wireless LCD	Wireless LCD	Wireless LCD	
	Setting Temperature Range	Cooling(°F (°C))	64~86 (18~30)	64~86 (18~30)	64~86 (18~30)
		Heating(°F (°C))	60~86 (16~30)	60~86 (16~30)	60~86 (16~30)
	Auto Operation (Micom Control)	0	0	0	
	Auto Changeover (Micom Control)	0	0	0	
	Self Diagnosis	0	0	0	
	Timer	24h, On/Off	24h, On/Off	24h, On/Off	
	Sleep Operation	0	0	0	
	Soft Dry Operation	0	0	0	
	Restart Delay (Minute)	3	3	3	
	Deice Control (Defrost)	0	0	0	
	Hot Start	0	0	0	
	Jet Cool / Jet Heat	0	0	0	
	Low Ambient Operation	0	0	0	
	Special Function		Water Level sensor, Cooling Only switch, WIND BAFFLE	Water Level sensor, Cooling Only switch, WIND BAFFLE	Water Level sensor, Cooling Only switch, WIND BAFFLE

Note :

O : Applied, X : No relation, - : No relation

• Filters are optional in some specific areas.

• For Circuit Breaker Rating, please conform to local standards whenever necessary.

a) HSPF Region V = HSPF Region IV / 1.15

- HSPF IV values comply with US standard.

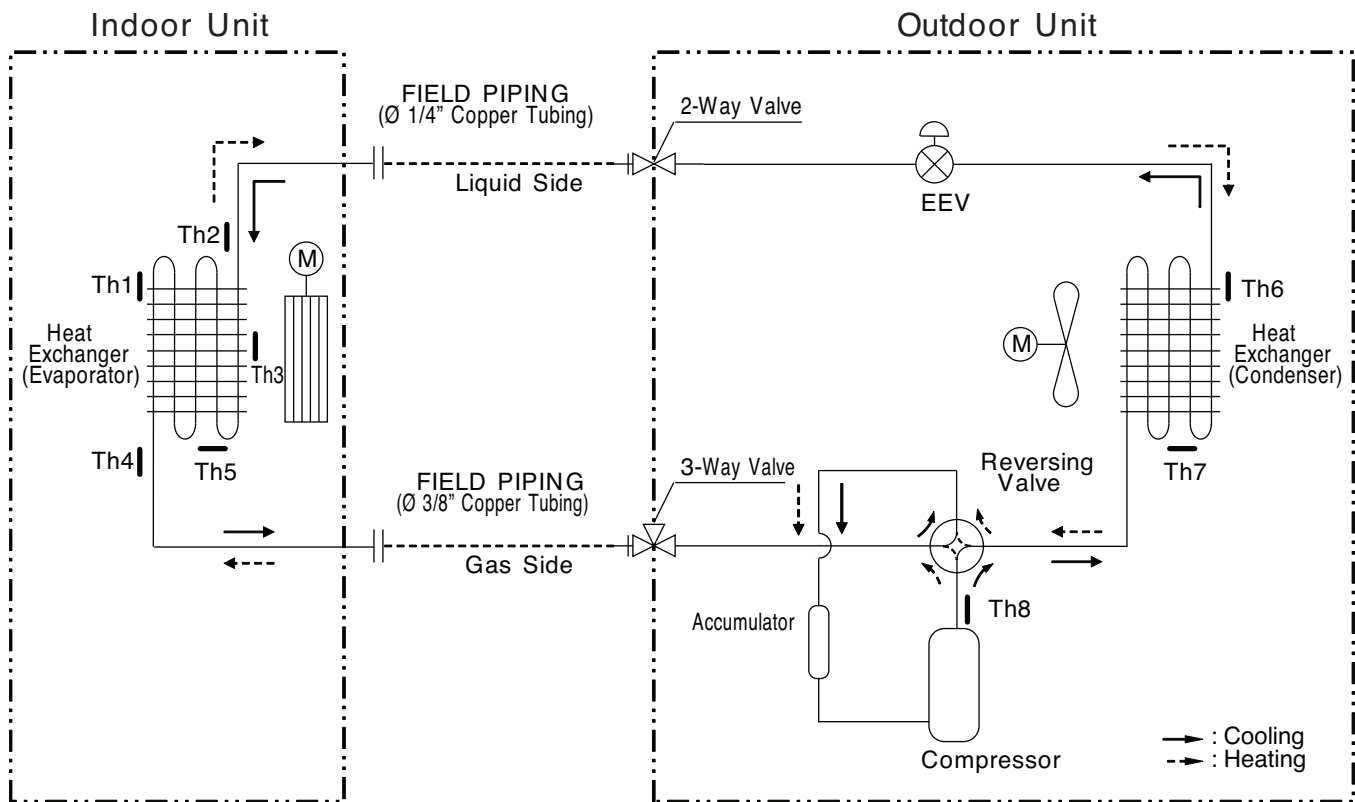
- HSPF V values comply with Canada standard.

b) * : With wind baffle installed, the minimum temperature will be 0°F D.B. in cooling.

Buyer Model (Indoor Unit / Outdoor unit)		Unit	LA-240HSV4 (LAN240HSV4 / LAU240HSV4)	
Factory Model (Indoor Unit / Outdoor unit)			AS-W243CRB6 (ASNW243CRB6 / ASUW243CRB6)	
Cooling Capacity (Min ~ Rated ~ Max)		kW	0.90 ~ 6.45 ~ 8.80	
		Btu/h	3,070~22,000~30,030	
Heating Capacity (Min ~ Rated ~ Max)		kW	0.90 ~ 8.09 ~ 11.40	
		Btu/h	3,070~27,600~38,898	
Maximum Heating Capacity	Outdoor 17°F (Indoor 70°F)	Btu/h	22,498 (82%)	
	Outdoor 5°F (Indoor 70°F)	Btu/h	19,097 (69%)	
	Outdoor -4°F (Indoor 70°F)	Btu/h	18,424 (67%)	
Power Input	Cooling / Heating	W	2,040 / 2,670	
Running Current	Cooling / Heating	A	7.9 / 10.7	
Starting Current	Cooling / Heating	A	7.9 / 10.7	
EER		-	10.78	
SEER		-	20.00	
COP		-	3.03	
HSPF (IV / V) a)		-	10.00 / 8.70	
Power Supply		Ø / V / Hz	1 / 208-230 / 60	
Power Factor		%	98.2	
Air Flow Rate	Indoor,Max/H/M/L		735 (20.8) / 622 (17.6) / 509 (14.4) / 399 (11.3)	
	Outdoor,Max		2,119 (60)	
Moisture Removal		l/h (pts/h)	5.5 (2.6)	
Sound Level	Indoor,H/M/L/SL (Cooling)	dB(A)+3	45 / 40 / 35 / 29	
	Indoor,H/M/L (Heating)	dB(A)+3	45 / 40 / 35	
	Outdoor,Max	dB(A)+3	53	
Compressor	Type	-	Twin Rotary	
	Model	-	GJT240MBA	
	Motor Type	-	Brushless DC Motor	
	Oil Type	-	PVE (FVC68D)	
	Oil Charge	cc	900	
O.L.P. name	-	-	-	
Fan(Indoor)	Type	-	Cross Flow Fan	
	Motor Output	W	30	
Fan(Outdoor)	Type	-	Propeller	
	Motor Type	-	BLDC	
	Motor Output	W	124	
Circuit Breaker*		A	25	
Power Supply Cable		No. x AWG	3 x 12	
Power and Transmission Cable		No. x AWG	4 x 18	
Piping Connections	Liquid Side	in (mm)	Ø 3/8 (9.52)	
	Gas Side	in (mm)	Ø 5/8 (15.88)	
Drain Hose(O.D , I.D.)		in (mm)	27/32, 5/8 (21.5, 16.0)	
Dimensions	Indoor (W x H x D)	mm	1,030 x 325 x 245	
		inch	40-9/16 x 12-13/16 x 9-11/16	
	Outdoor (W x H x D)	mm	870 x 800 x 320	
		inch	34-1/4 x 31-1/2 x 12-19/32	
Net Weight	Indoor	lbs (kg)	32.0 (14.5)	
	Outdoor	lbs (kg)	120.2 (54.5)	
Gross Weight	Indoor	lbs (kg)	38.6 (17.5)	
	Outdoor	lbs (kg)	130.1 (59.0)	
Operation Range	Cooling (Outdoor)	°F(°C) DB	14 [0*] ~ 118 (-10 [-18*]) ~ 48	
	Heating (Outdoor)	°F(°C) WB	-4 ~ 65 (-20 ~ 18)	
Refrigerant & Charge		oz (g)	R410A / 63.5 (1,800)	
Additional Refrigerant Charge		oz/ft (g/m)	0.38 (35)	
Piping Length (Min/Max)		ft (m)	9.84 (3) / 98.4 (30)	
Chargeless		ft (m)	24.6 (7.5)	
Max. Elevation Difference		ft (m)	49.2 (15)	
Tool Code(Chassis)	Indoor + Outdoor		SC + UE1+	
Functions	Temperature Control		Thermistor	
	Allergy free filter		-	
	Plasma Filter		-	
	Prefilter (Washable/Anti-fungus)		0	
	3M Multi Protection filter		0	
	Auto Clean		0	
	CHAOS Wind(Auto Wind)		0	
	Steps, Fan/Cool/Heat		6 / 6 / 6	
	Airflow Direction Control(Up& Down)		Auto	
	Airflow Direction Control(Left & Right)		Auto	
	Remote Controller Type		Wireless LCD	
	Setting Temperature Range	Cooling[°F (°C)]		64~86 (18~30)
		Heating[°F (°C)]		60~86 (16~30)
	Auto Operation (Micom Control)		-	
	Auto Changeover (Micom Control)		0	
	Self Diagnosis		0	
	Timer		24h, On/Off	
	Sleep Operation		0	
	Soft Dry Operation		0	
	Restart Delay (Minute)		3	
	Deice Control (Defrost)		0	
	Hot Start		0	
	Jet Cool / Jet Heat		0	
	Low Ambient Operation		0	
	Special Function			Water Level sensor, Cooling Only switch, WIND BAFFLE

2. Piping Diagrams

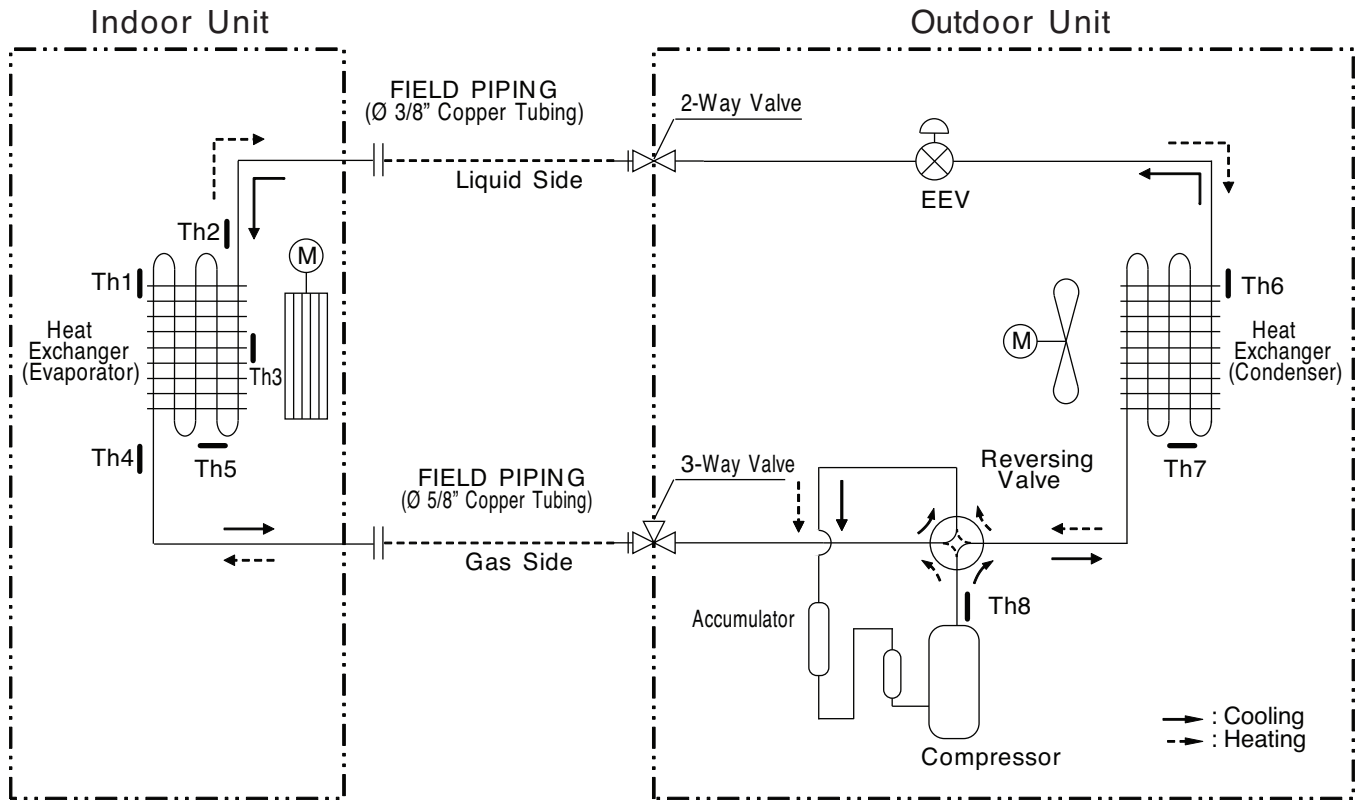
LS090HSV4 (AS-W09GB1B0), LS120HSV4 (AS-W12GB1B0), LA090HSV4 (AS-W09GBRB0), LA120HSV4 (AS-W12GBRB0)



LOC.	Description	PCB Connector
Th1	Thermistor for indoor air temperature	CN-TH1 (Indoor)
Th2	Thermistor for evaporator inlet temperature	
Th3	Thermistor for evaporator middle temperature	CN-TH2 (Indoor)
Th4	Thermistor for evaporator outlet temperature	CN-TH3 (Indoor)
Th5	Water Level Sensor (Option)	
Th6	Thermistor for outdoor air temperature	CN-TH1 (Outdoor)
Th7	Thermistor for condensing temperature	
Th8	Thermistor for discharge pipe temperature	CN-TH2 (Outdoor)

※ EEV : Electronic Expansion Valve

LS180HSV4 (AS-W18GC2B0), LA180HSV4 (AS-W18GCRB0), LA240HSV4(AS-W243CRB6)

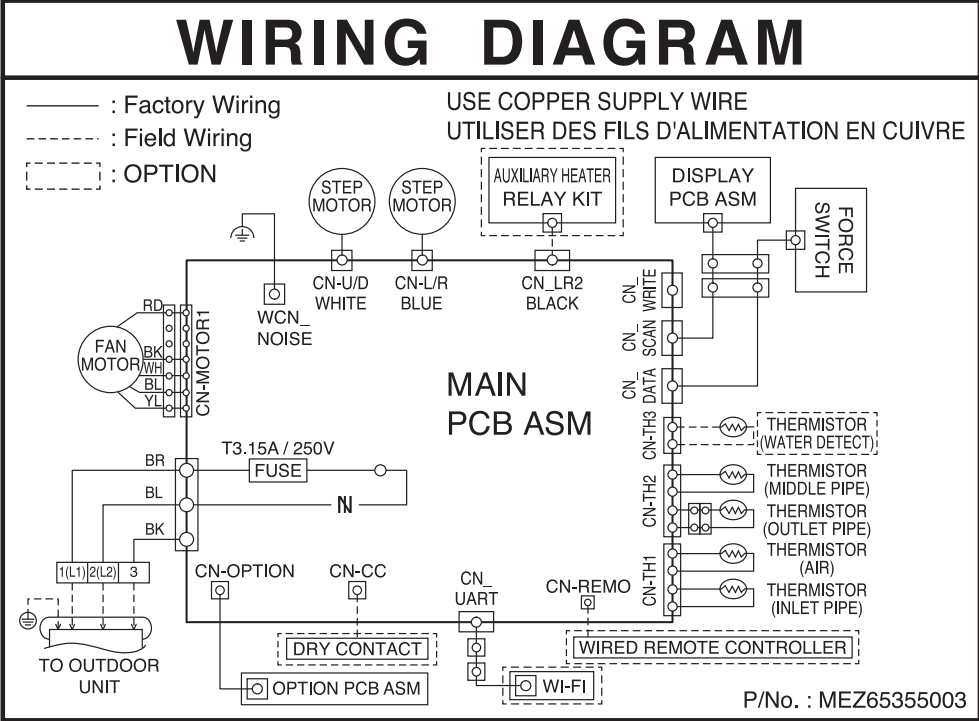


LOC.	Description	PCB Connector
Th1	Thermistor for indoor air temperature	CN-TH1 (Indoor)
Th2	Thermistor for evaporator inlet temperature	
Th3	Thermistor for evaporator middle temperature	
Th4	Thermistor for evaporator outlet temperature	CN-TH2 (Indoor)
Th5	Water Level Sensor (Option)	
Th6	Thermistor for outdoor air temperature	CN-TH2 (Outdoor)
Th7	Thermistor for condensing temperature	
Th8	Thermistor for discharge pipe temperature	CN-TH3 (Outdoor)

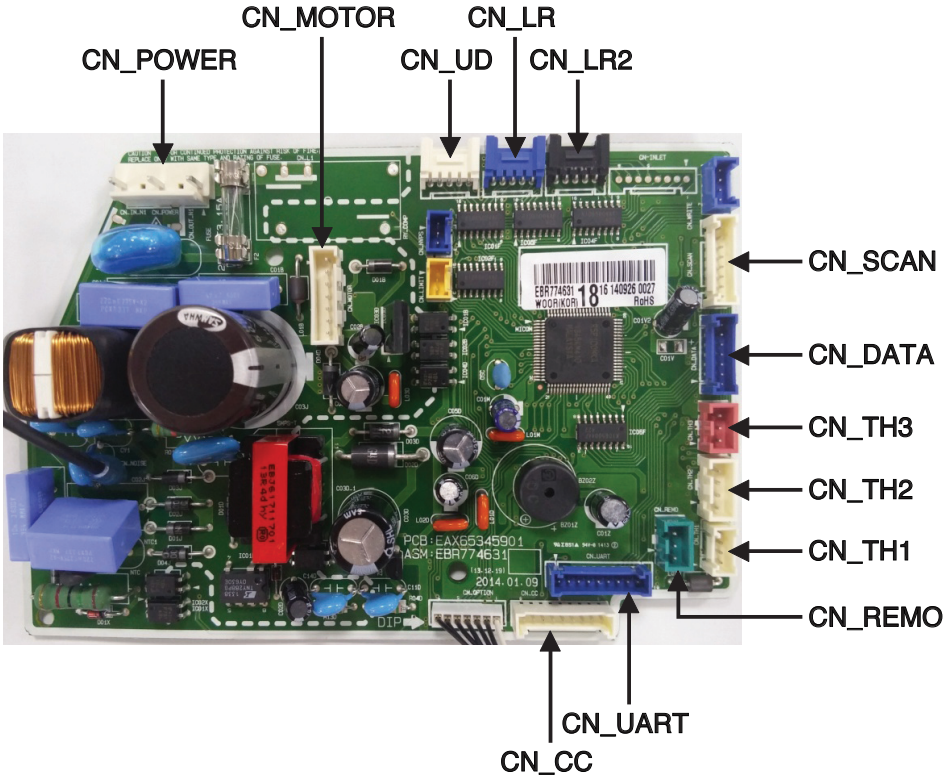
* EEV : Electronic Expansion Valve

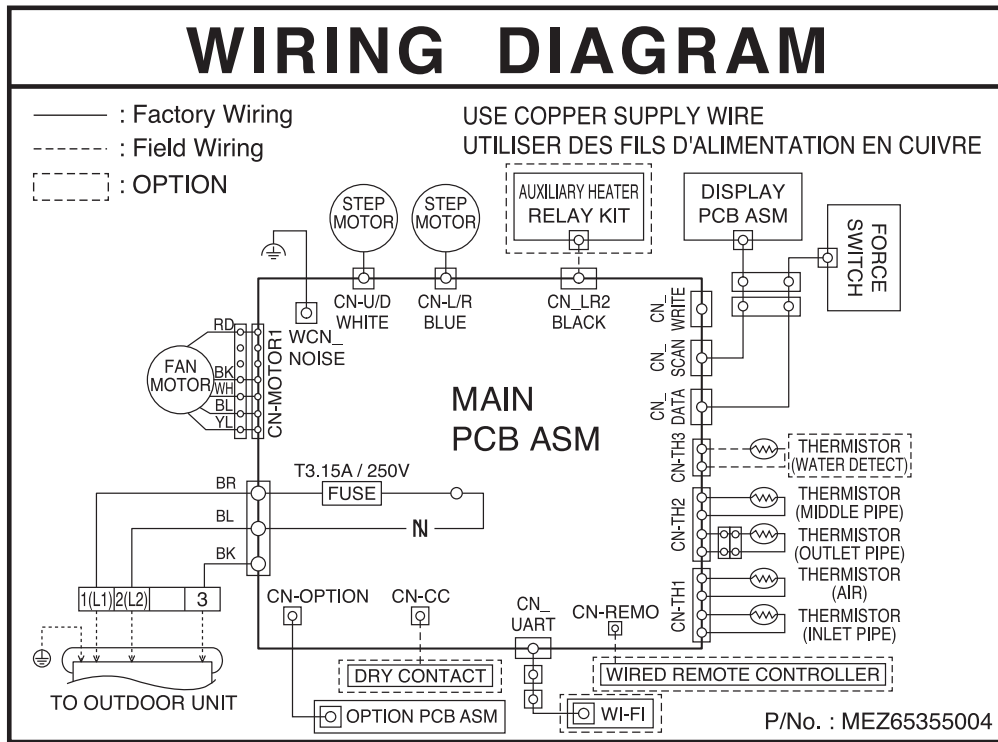
3. Wiring Diagrams

Indoor Unit
 LSN090HSV4 (ASNW09GB1B0), LSN120HSV4 (ASNW12GB1B0)

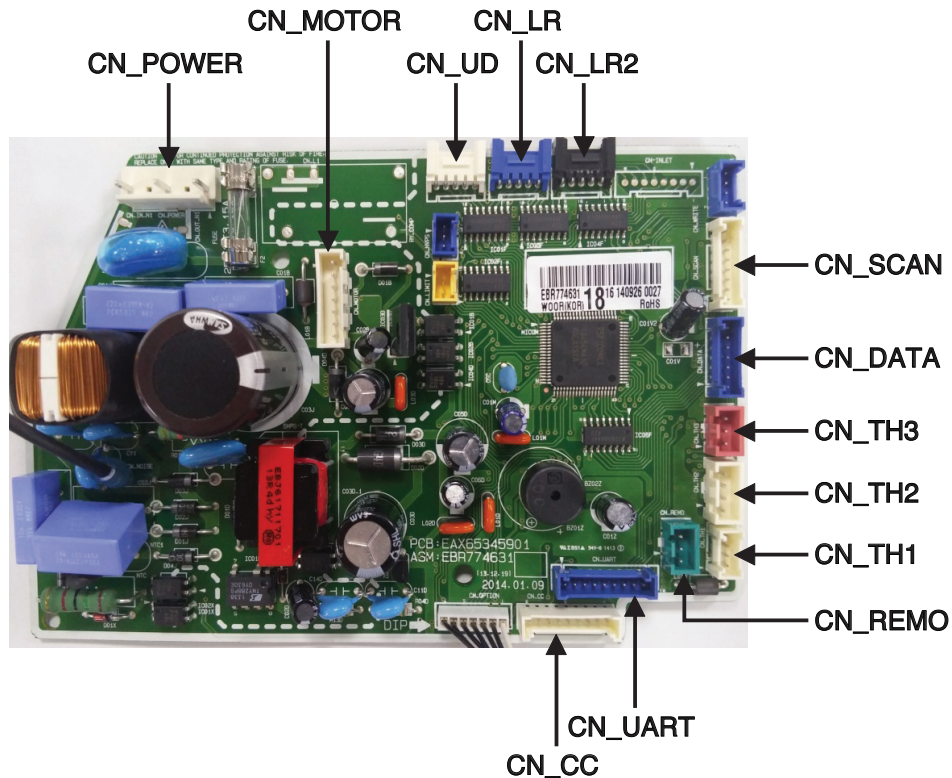


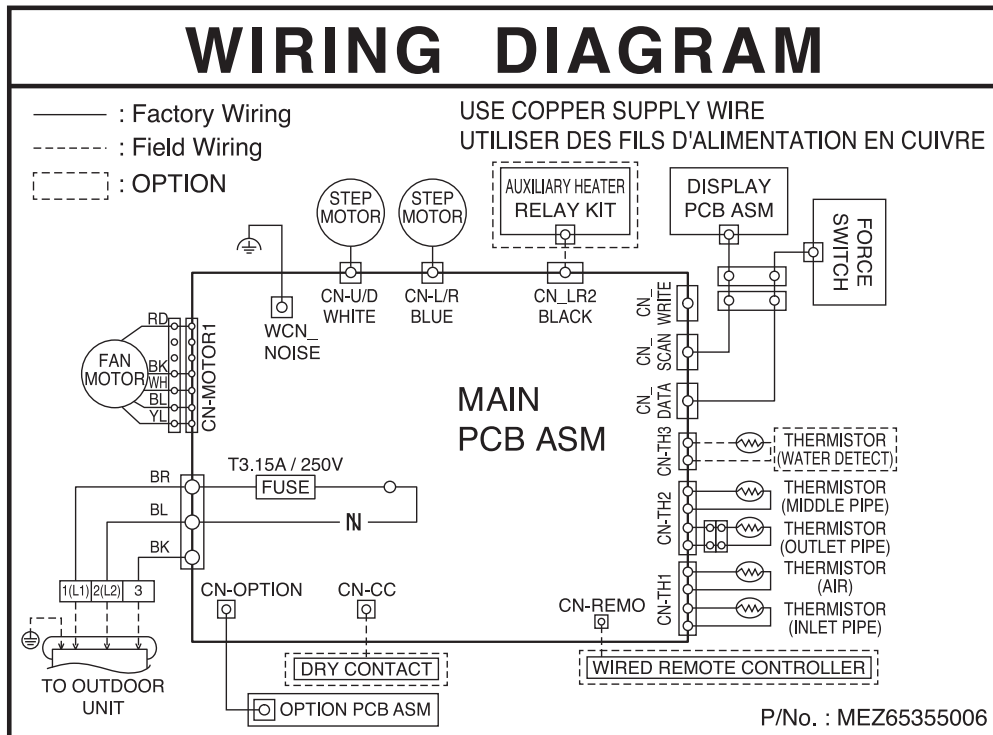
* Auxiliary heater relay kit is not available on single zone wall mounted models.



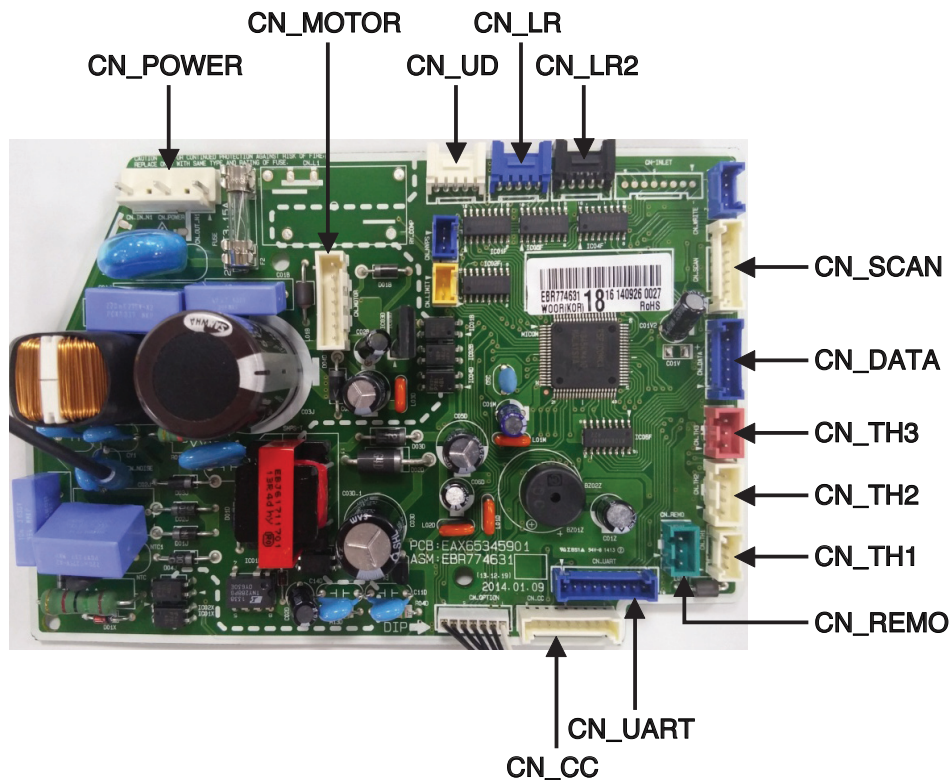


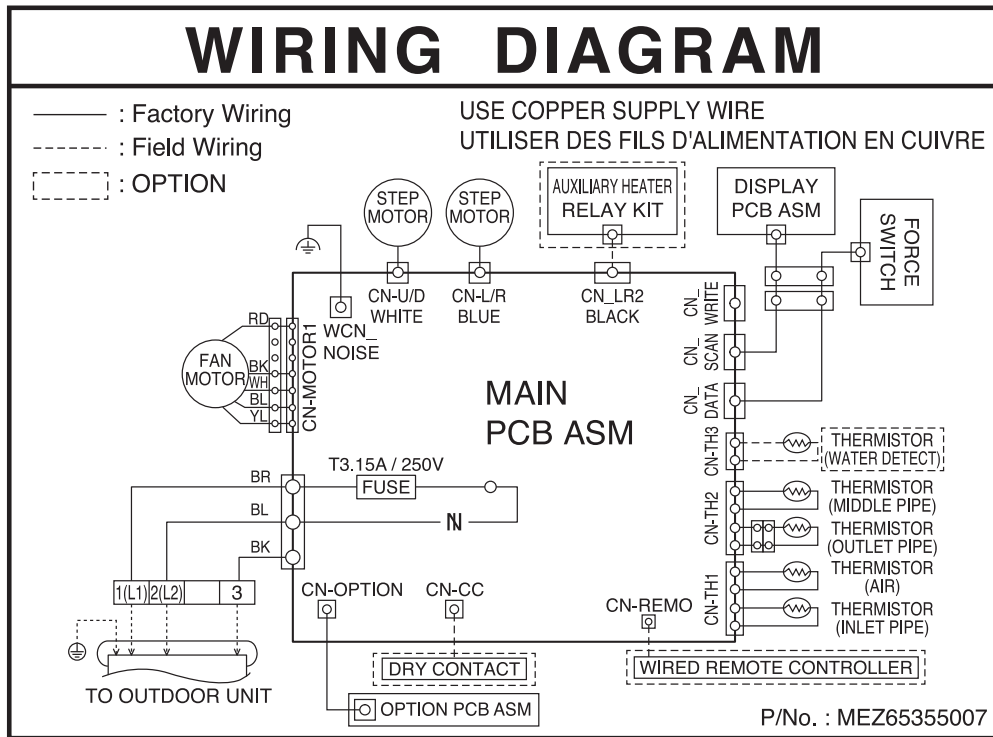
* Auxiliary heater relay kit is not available on single zone wall mounted models.



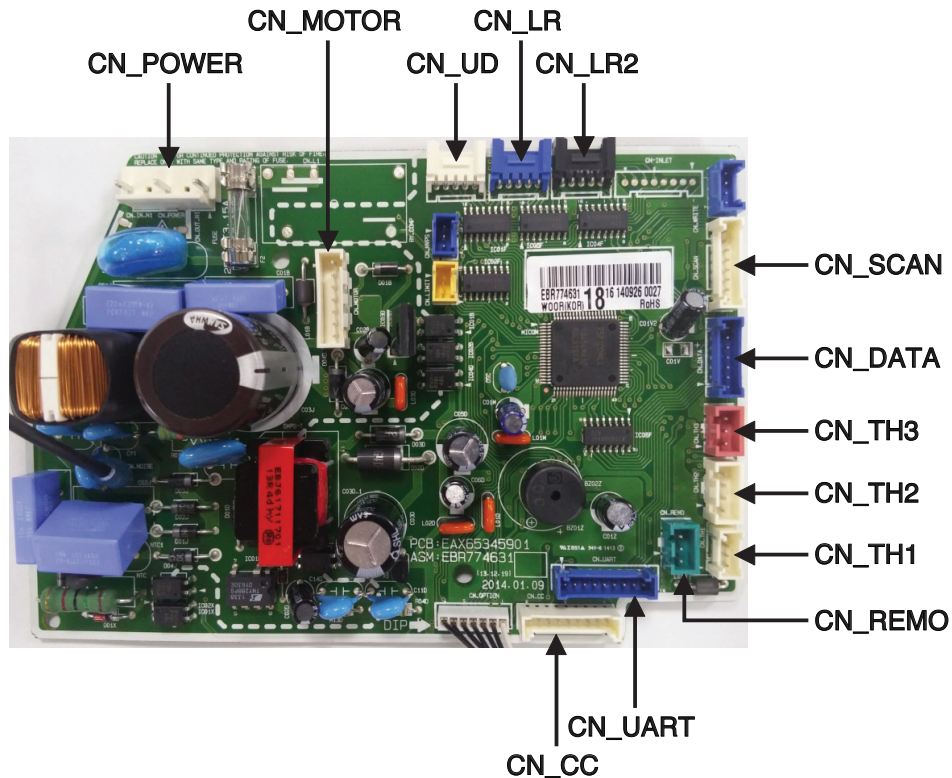


* Auxiliary heater relay kit is not available on single zone wall mounted models.

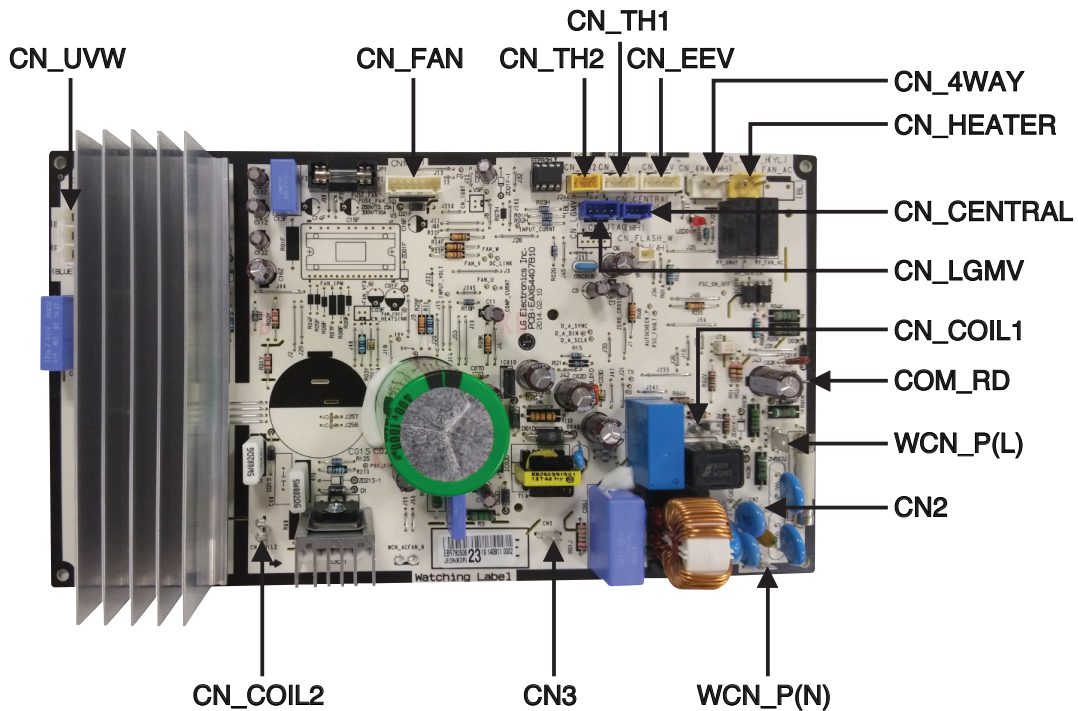
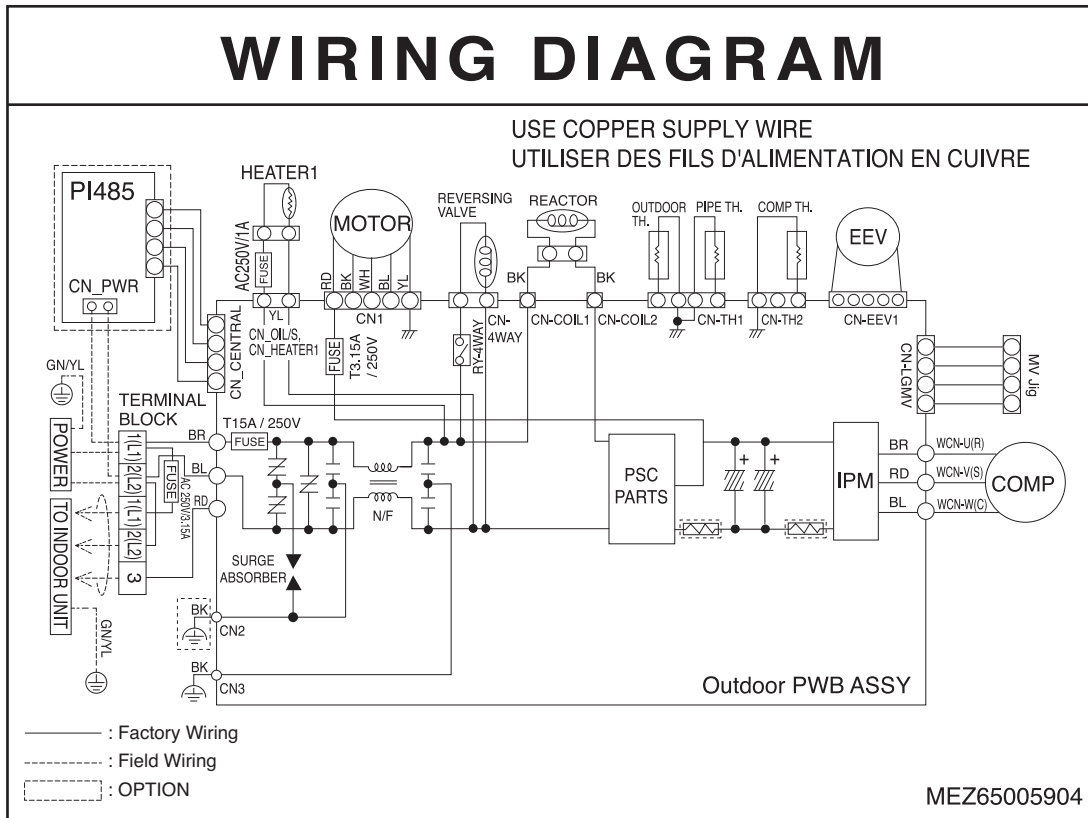




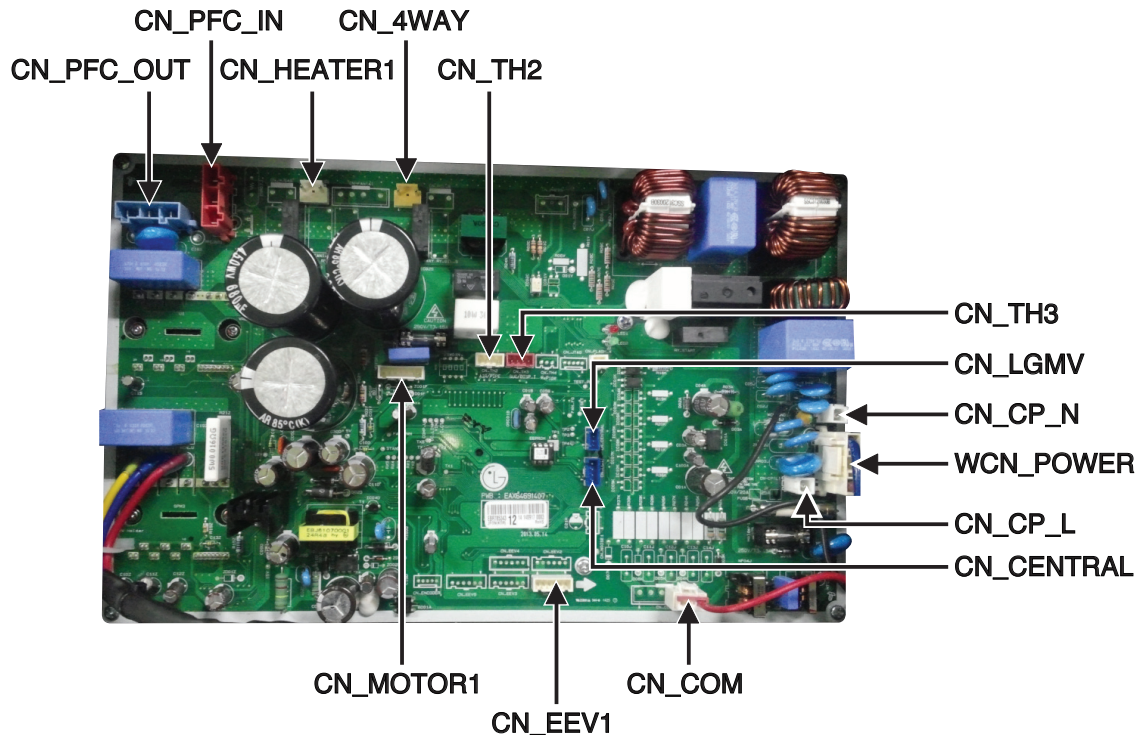
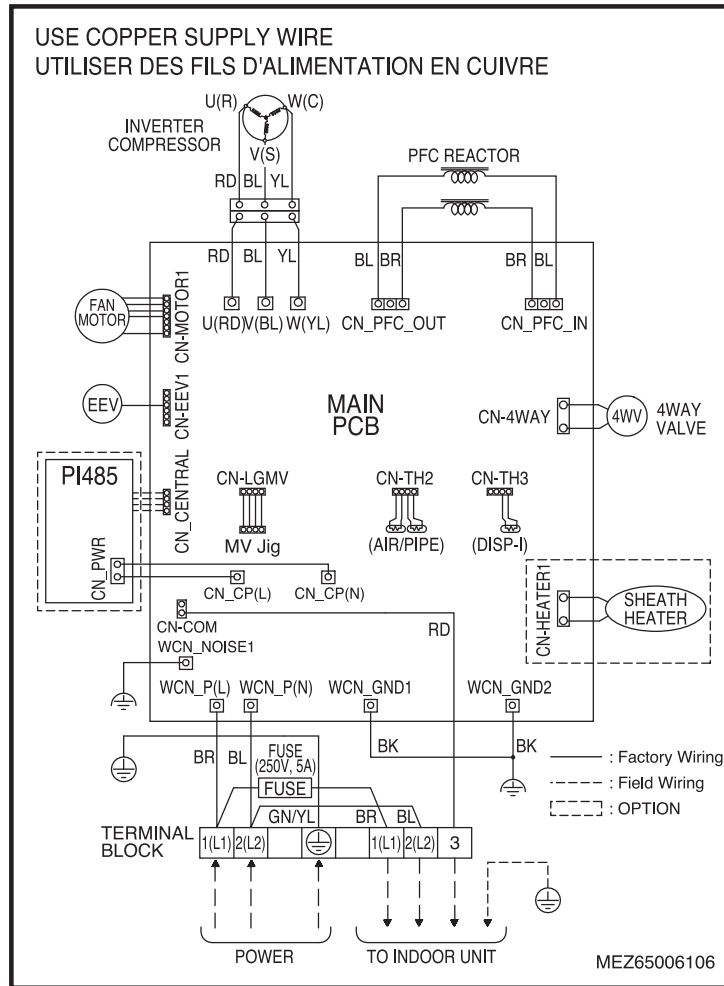
* Auxiliary heater relay kit is not available on single zone wall mounted models.



Outdoor Unit
LSU090HSV4 (ASUW093BUB6), LSU120HSV4 (ASUW123BUB6)



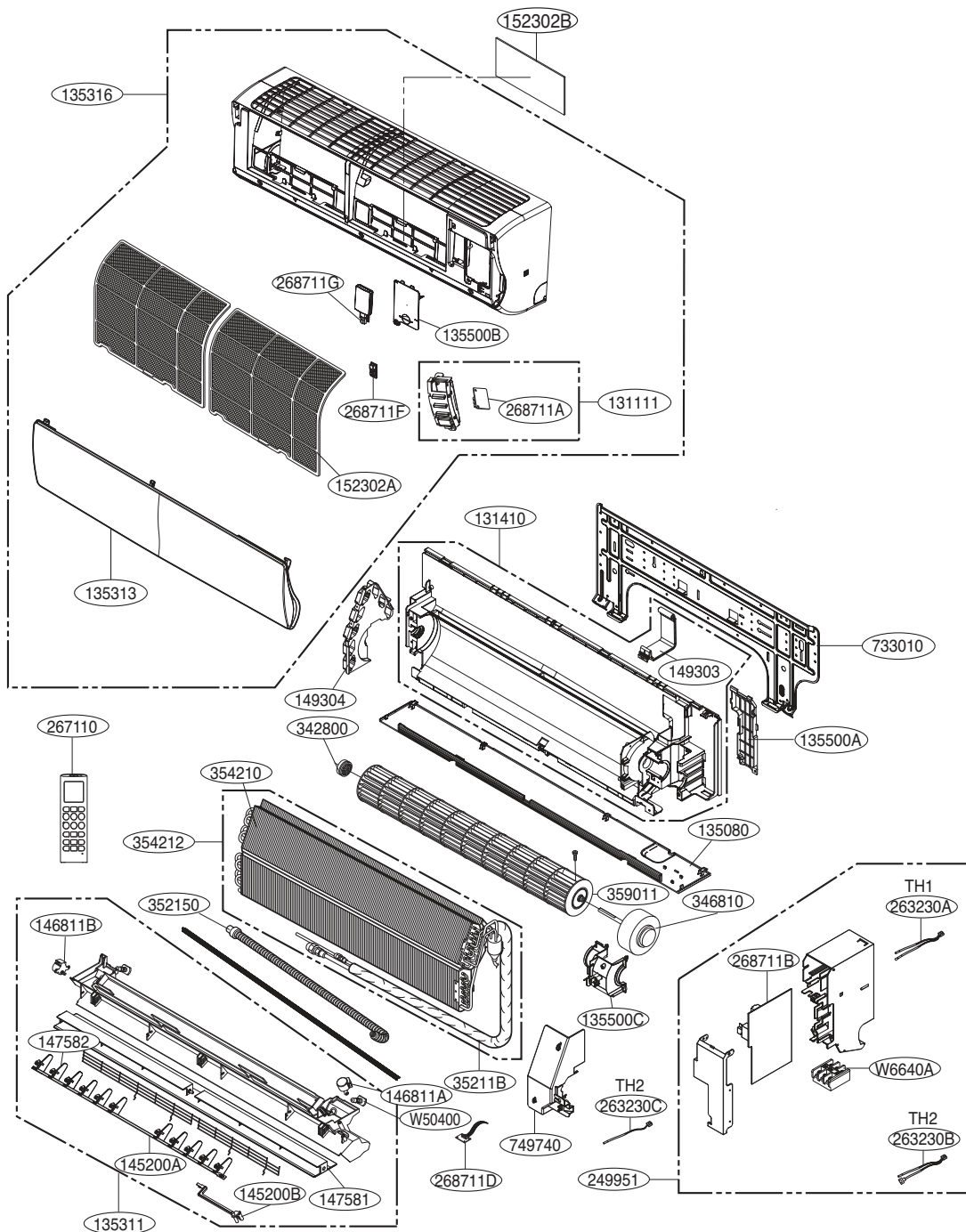
LSU180HSV4 (ASUW183CUB6), LAU240HSV4(ASUW243CRB6)



4. Exploded View

Indoor Unit

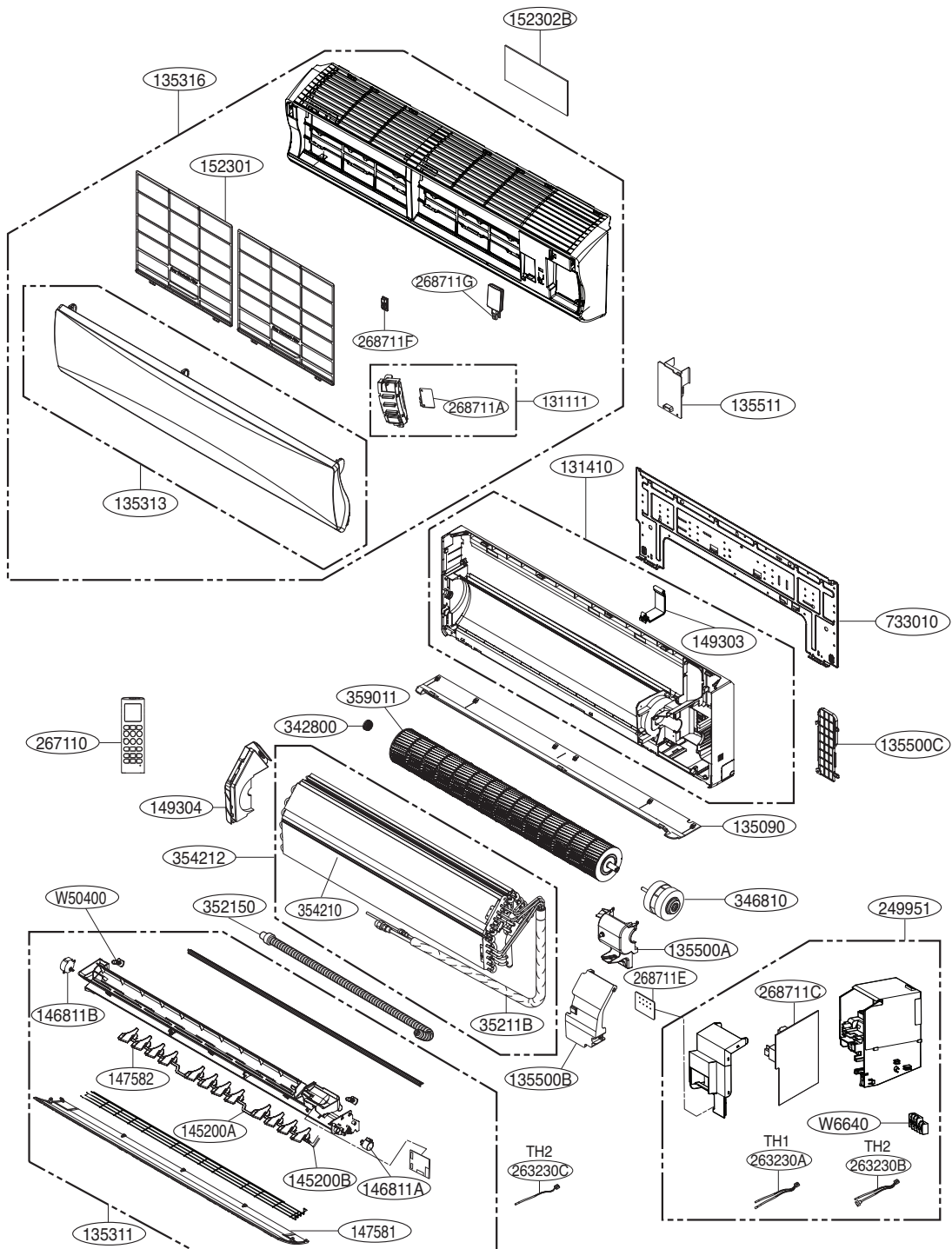
LSN090HSV4 (ASNW09GB1B0), LSN120HSV4 (ASNW12GB1B0)



LOC.	Description	Connector
263230A	Thermistor for indoor air temperature	TH1
	Thermistor for evaporator inlet temperature	
263230B	Thermistor for evaporator middle temperature	TH2
	Thermistor for evaporator outlet temperature	
263230C		

Note) Please ensure GCSC since the replacement parts may be changed depending upon the buyer's request. Please check the correct parts in View RPL(Replacement Part List) on GCSC. (GCSC Website <http://www.lge.com>)

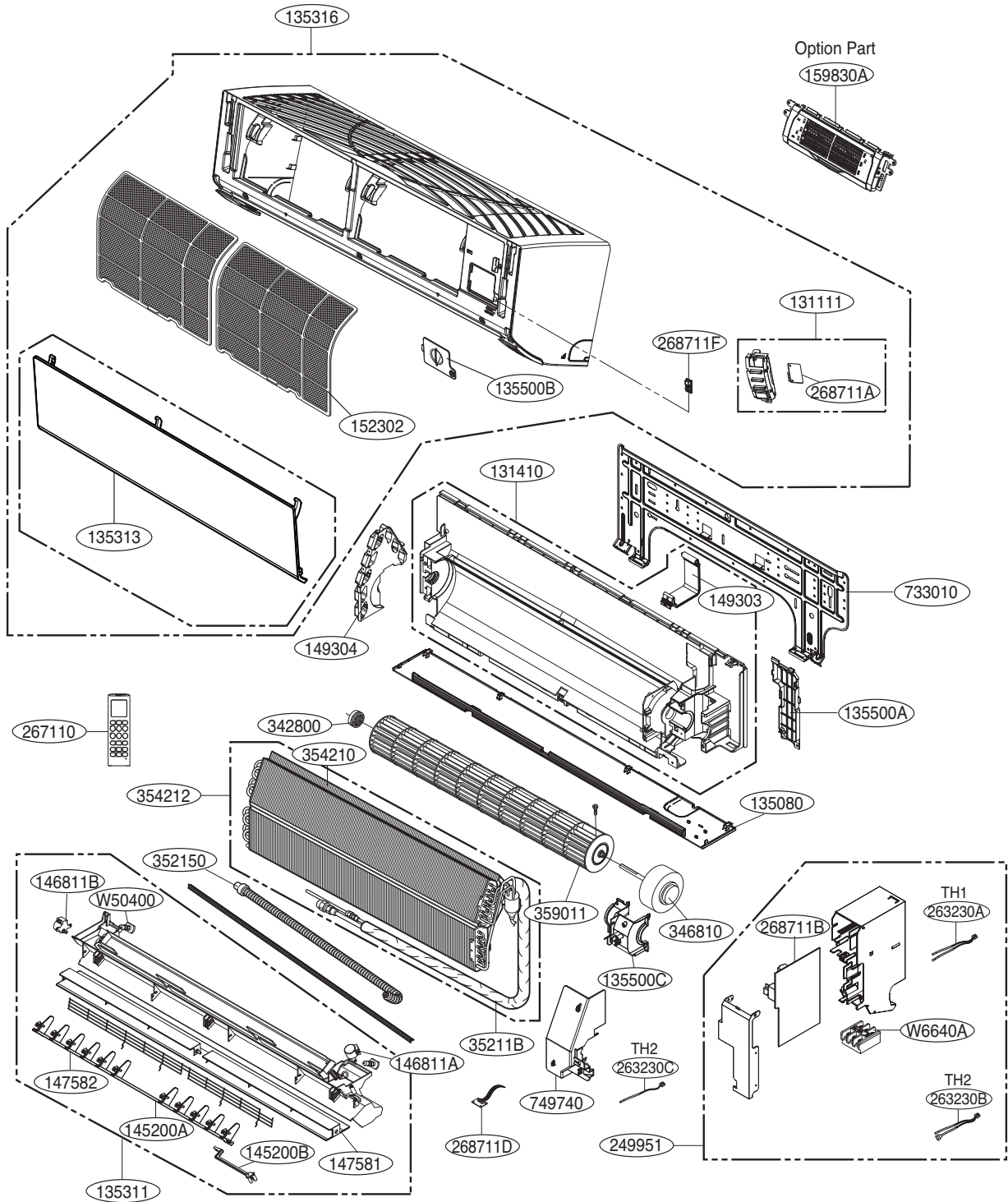
LSN180HSV4 (ASNW18GC2B0)



LOC.	Description	Connector
263230A	Thermistor for indoor air temperature	TH1
	Thermistor for evaporator inlet temperature	
263230B	Thermistor for evaporator middle temperature	TH2
	Thermistor for evaporator outlet temperature	
263230C		

Note) * Please ensure GCSC since the replacement parts may be changed depending upon the buyer's request.
 Please check the correct parts in View RPL(Replacement Part List) on GCSC.
 (GCSC Website <http://www.lge.com>)

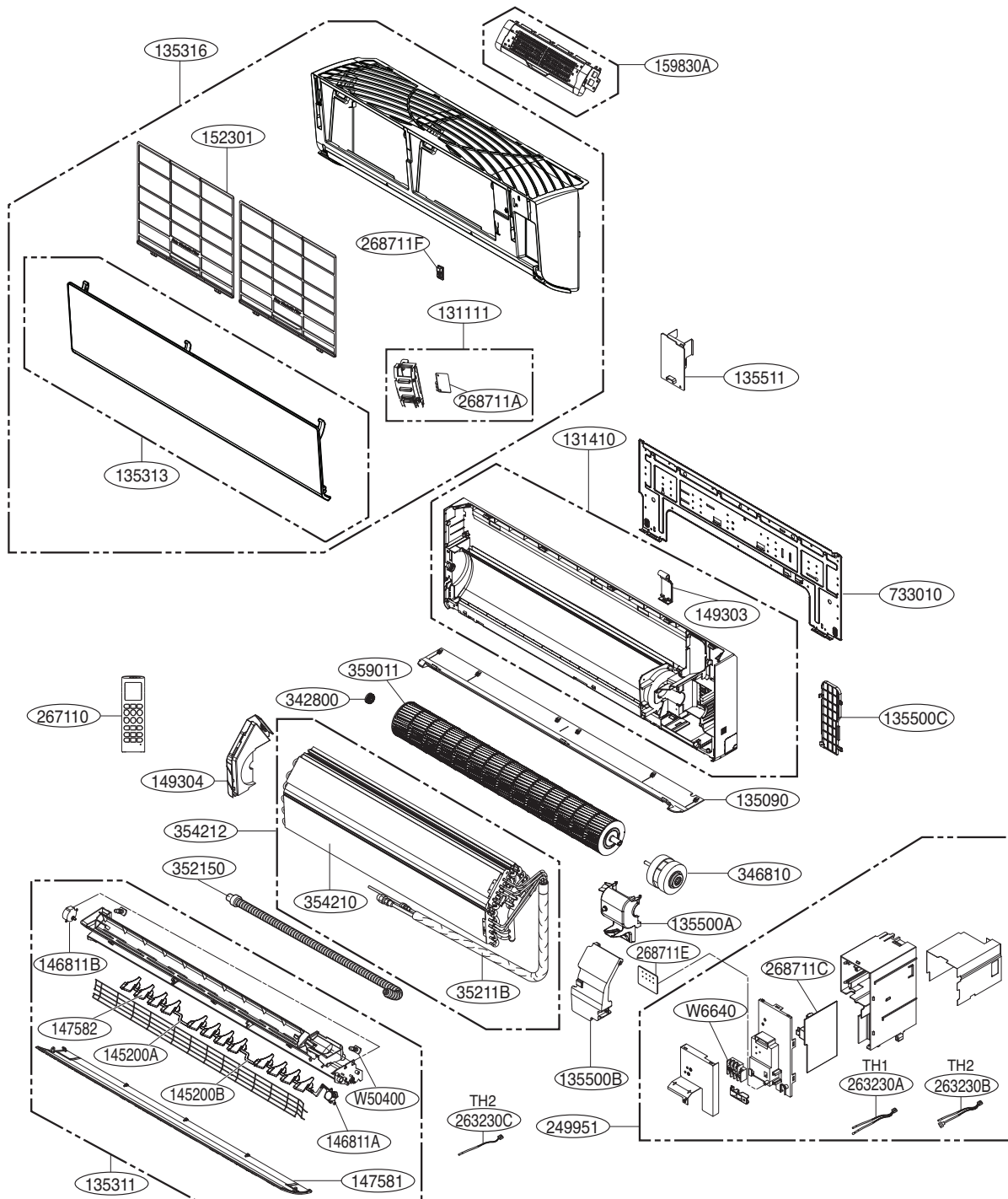
LAN090HSV4 (ASNW09GBRB0), LAN120HSV4 (ASNW12GBRB0)



LOC.	Description	Connector
263230A	Thermistor for indoor air temperature	TH1
	Thermistor for evaporator inlet temperature	
263230B	Thermistor for evaporator middle temperature	TH2
	Thermistor for evaporator outlet temperature	
263230C		

Note) * Please ensure GCSC since the replacement parts may be changed depending upon the buyer's request.
 Please check the correct parts in View RPL(Replacement Part List) on GCSC.
 (GCSC Website <http://www.lge.com>)

LAN180HSV4 (ASNW18GCRB0), LAN240HSV4(ASNW243CRB6)

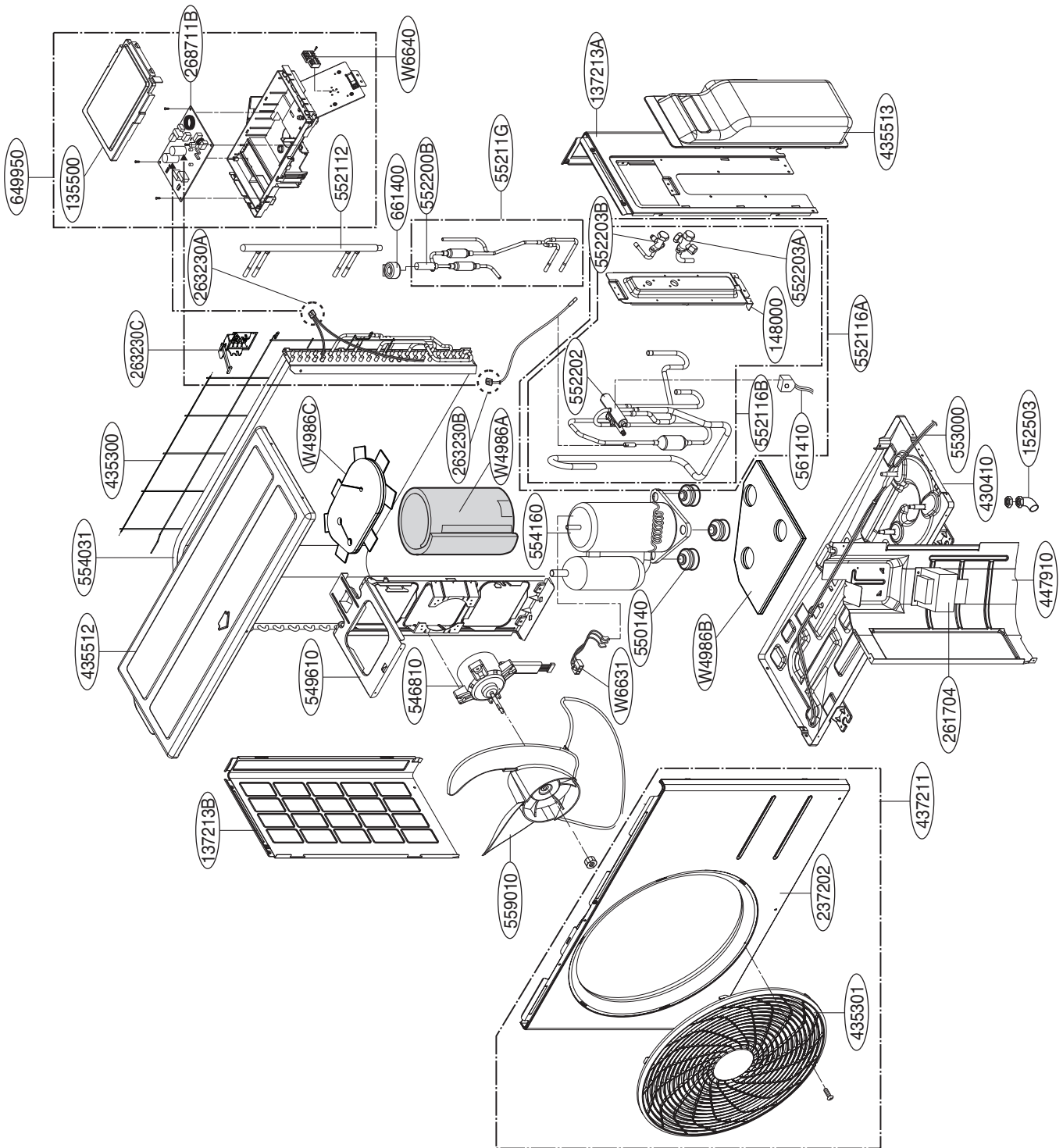


LOC.	Description	Connector
263230A	Thermistor for indoor air temperature	TH1
	Thermistor for evaporator inlet temperature	
263230B	Thermistor for evaporator middle temperature	TH2
	Thermistor for evaporator outlet temperature	
263230C		

Note) * Please ensure GCSC since the replacement parts may be changed depending upon the buyer's request. Please check the correct parts in View RPL(Replacement Part List) on GCSC. (GCSC Website <http://www.lge.com>)

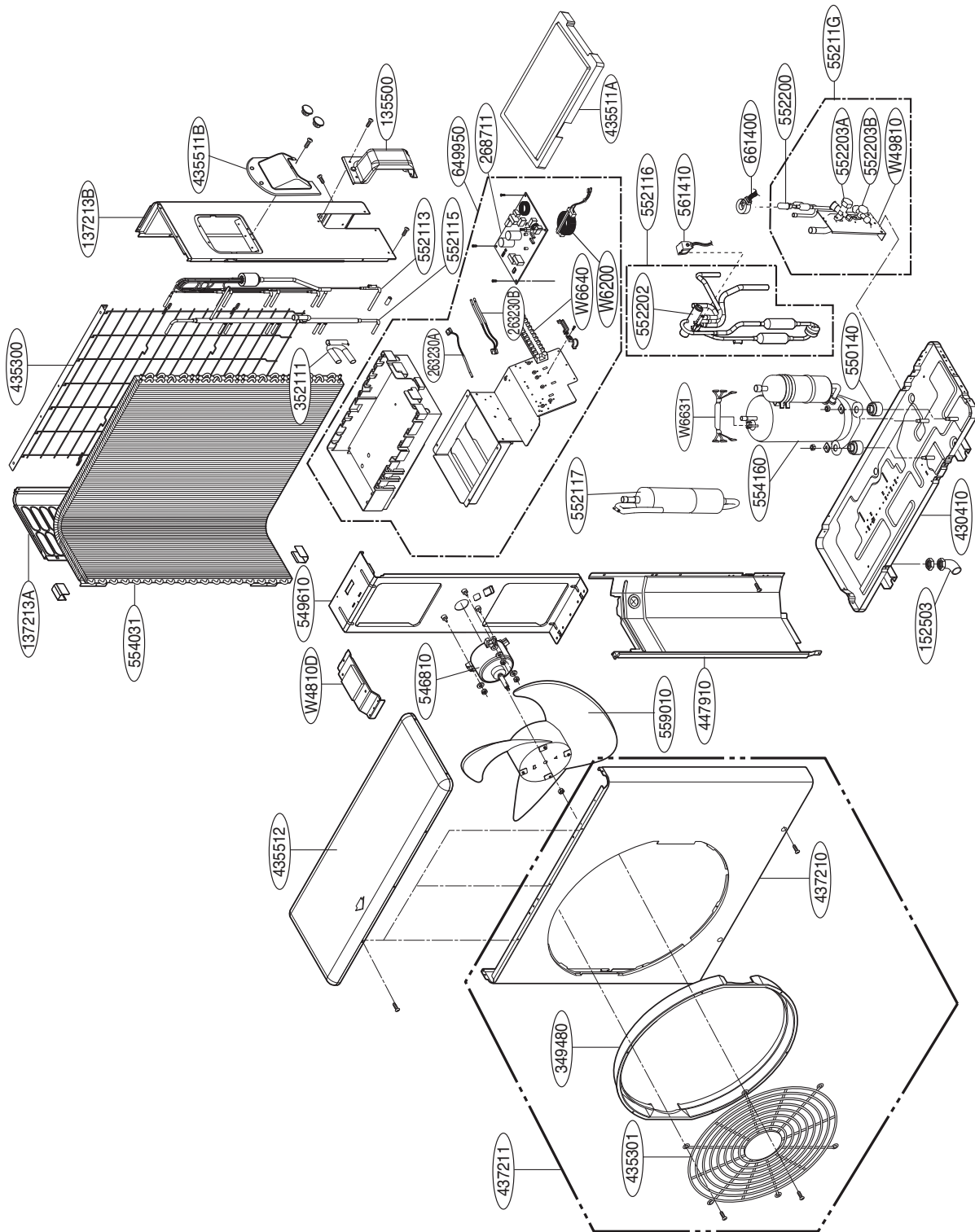
Outdoor Unit

LSU090HSV4 (ASUW093BUB6), LSU120HSV4 (ASUW123BUB6)



LOC.	Description	Connector
263230A	Thermistor for outdoor air temperature	TH1
	Thermistor for condensing temperature	
263230B	Thermistor for discharge pipe temperature	TH2

LSU180HSV4 (ASUW183CUB6), LAU240HSV4(ASUW243CRB6)



LOC.	Description	Connector
263230A	Thermistor for outdoor air temperature	TH2
	Thermistor for condensing temperature	
263230B	Thermistor for discharge pipe temperature	TH3



US	1. Please call the installing contractor of your product, as warranty service will be provided by them. 2. If you have service issues that have not been addressed by the contractor, please call 1-888-865-3026.
CANADA	Service call Number # : (888) LG Canada, (888) 542-2623